

CARACTERÍSTICAS DO MODELO:

Estilo minimal de linhas direitas e depuradas permitindo a perfeita união entre o design e funcionalidade. Cubas de menor profundidade para um reduzido consumo de água.

Altura da banheira reduzida facilitando o seu acesso.

Garantia 2 anos.

Disponível com sistemas de hidromassagem.

MATERIAL: Chapa Acrílica s/norma EN263 (NF)

NORMAS EUROPEIAS: - EN 14516- CL1+CL2; EN263; EN232; EN198
- NF para as medidas 1600x700/1700x700/
1700x750/1700x800

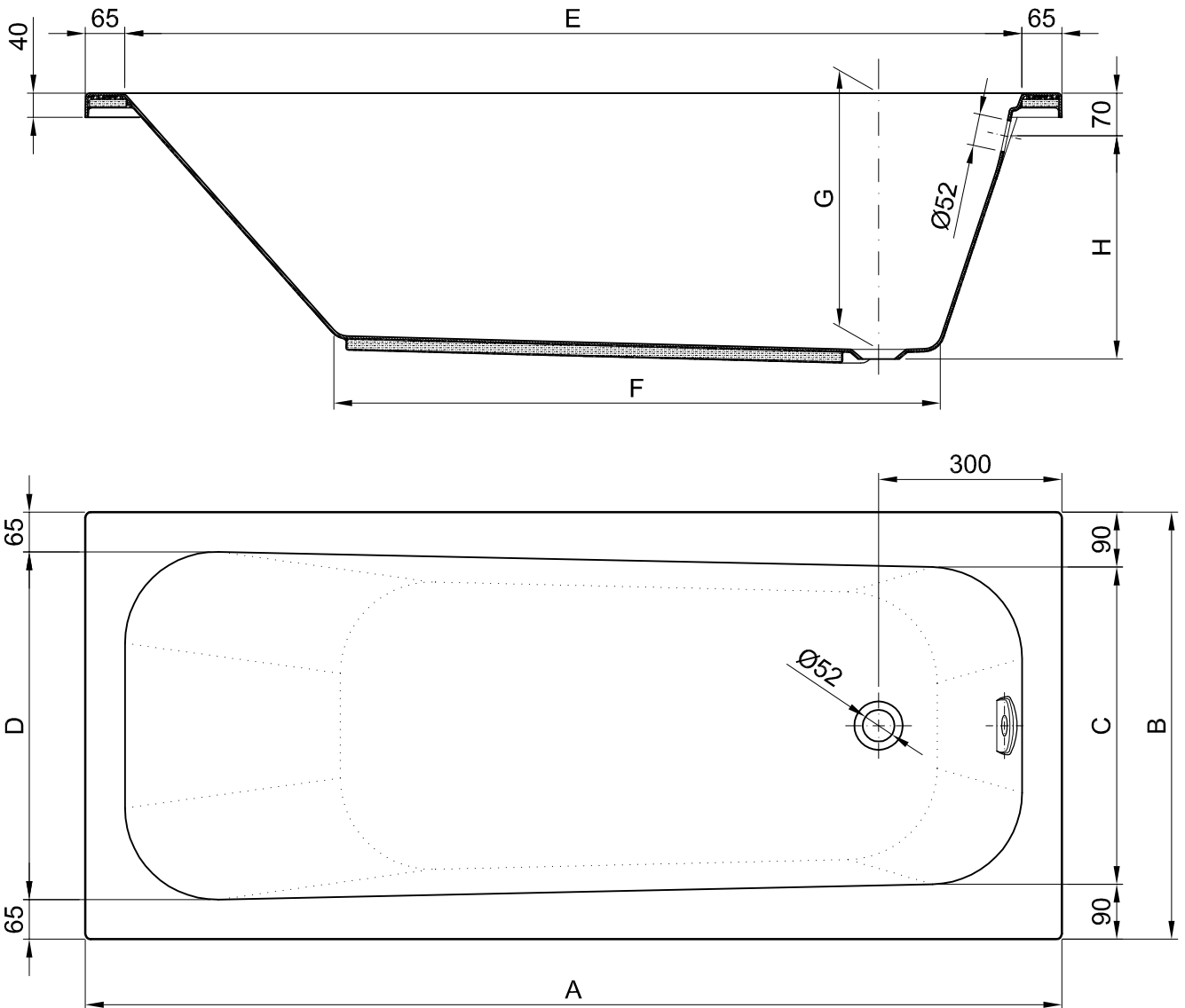
CORES DISPONÍVEIS: Branco

PESO (±10%) : Consultar tabela

PEÇA:

- DESCRIÇÃO: Banheira Acrílica Retangular
- SERIE: NEXO
- VERSÃO: Simples
- REF: Consultar tabela

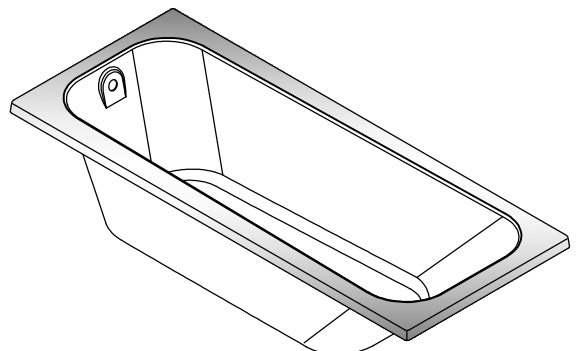
Ficha Técnica



AxB	REF.	C	D	E	F	G	H	*CAP.	PESO
1400x700	B14070NX	520	570	1270	795	400	345	145 L	16.5 Kg
1500x700	B15070NX			1370	895			167 L	17.6 Kg
1600x700	B60NX			1470	995	420	365	190 L	20 Kg
1700x700	B70NX			1570	1095			211 L	21 Kg
1500x750	B15075NX	570	620	1370	895	400	345	176 L	19 Kg
1600x750	B16075NX			1470	995			210 L	22 Kg
1700x750	B75NX			1570	1095	420	365	212 L	22 Kg
1600x800	B16080NX	620	670	1470	995			225 L	20.5 Kg
1700x800	B80NX			1570	1095	239 L	24 Kg		

*Capacidade até ao nível do overflow (±10%);

Dimensões em mm



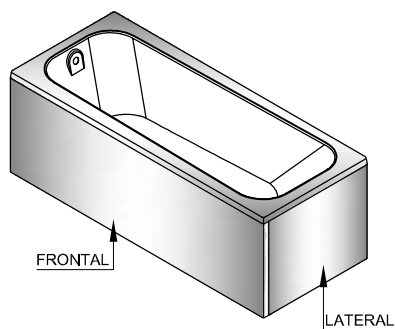
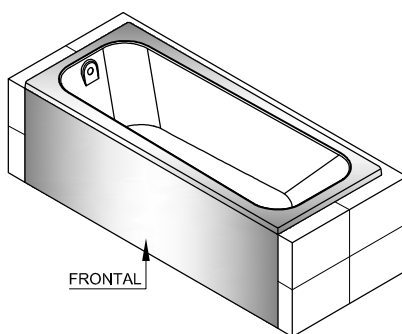
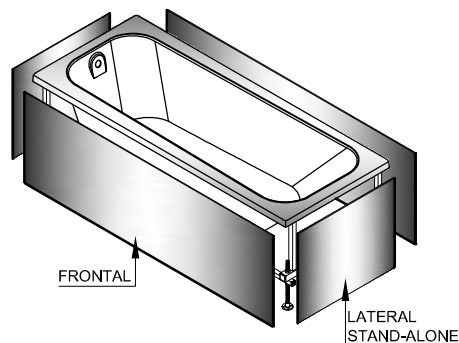
Os produtos apresentados seguem especificações técnicas internas da Sanitana S.A. As dimensões são meramente indicativas. Para instalação à medida apenas devem ser consideradas as dimensões retiradas da peça a ser aplicada. Reservamos o direito de fazer alterações técnicas que permitam melhorar a funcionalidade dos nossos produtos sem aviso prévio.

PEÇA:

- DESCRIÇÃO: Banheira Retangular
- SÉRIE: NEXO
- VERSÃO: Simples / Sistemas com Hidromassagem

PRODUTOS ASSOCIADOS:

BANHEIRA DIM.	ESTRUTURA METÁLICA	PÉS APOIO METÁLICOS	VÁLVULA DESCARGA	APOIO CABEÇA PLANO	APOIO CABEÇA (incluído em sistemas com hidromassagem)
1400x700	KEMCB14070.ZNC	17763	15892	BACSP59G	25497
1500x700	KEMCB15070.ZNC				
1600x700	KEMCB16070.ZNC				
1700x700	KEMCB17070.ZNC				
1500x750	KEMCB15075ZNC	17764			
1600x750	KEMCB16075.ZNC				
1700x750	KEMCB17075.ZNC				
1600x800	KEMCB16080.ZNC	17765			
1700x800	KEMCB17080.ZNC				

APLICAÇÃO DE CANTO
(Painel frontal+painel lateral)

APLICAÇÃO ENTRE-PAREDES
(Painel frontal)

APLICAÇÃO STAND-ALONE
(Painel frontal+painel lateral stand-alone)


PAINEL ACRÍLICO FRONTAL		
DIM.	ALTURA 500mm	ALTURA 560mm
1400	B140S2	N/A
1500	B150S	
1600	N/A	B160P
1700		B170P

PAINEL ACRÍLICO LATERAL		
DIM.	ALTURA 500mm	ALTURA 560mm
700	B070S	B070P
750	B075S	B075P
800	N/A	B080P

PAINEL MADEIRA FRONTAL	
DIM.	ALTURA 560mm
1600	B16056PM
1700	B17056PM
1800	B18056PM

PAINEL MADEIRA LATERAL	
DIM.	ALTURA 560mm
700	B7056PM
750	B7556PM
800	B8056PM

PAINEL MADEIRA LATERAL (stand-alone)	
DIM.	ALTURA 560mm
700	B7056PMSA
750	B7556PMSA
800	B8056PMSA

PAINEL ACM FRONTAL	
DIM.	ALTURA 560mm
1600	B16056ACM
1700	B17056ACM
1800	B18056ACM

PAINEL ACM LATERAL	
DIM.	ALTURA 560mm
700	B7056ACM
750	B7556ACM
800	B8056ACM

PAINEL ACM LATERAL (stand-alone)	
DIM.	ALTURA 560mm
700	B7056ACSA
750	B7556ACSA
800	B8056ACSA

MODEL FEATURES:

Minimalist style straight and clean lines allowing the perfect marriage between design and functionality.

Reduced height of the tub facilitating the access and a reduced water consumption.

Warranty 2 years.

Available in whirlpool systems.

MATERIAL: Cross linked cast acrylic sheet acc/standard EN263 (NF)

EUROPEAN STANDARDS: - EN 14516- CL1+CL2; EN263; EN232; EN198
- NF for 1600x700/1700x700/
1700x750/1700x800 dimensions

AVAILABLE COLORS: White

WEIGHT (±10%) : See table

PART:

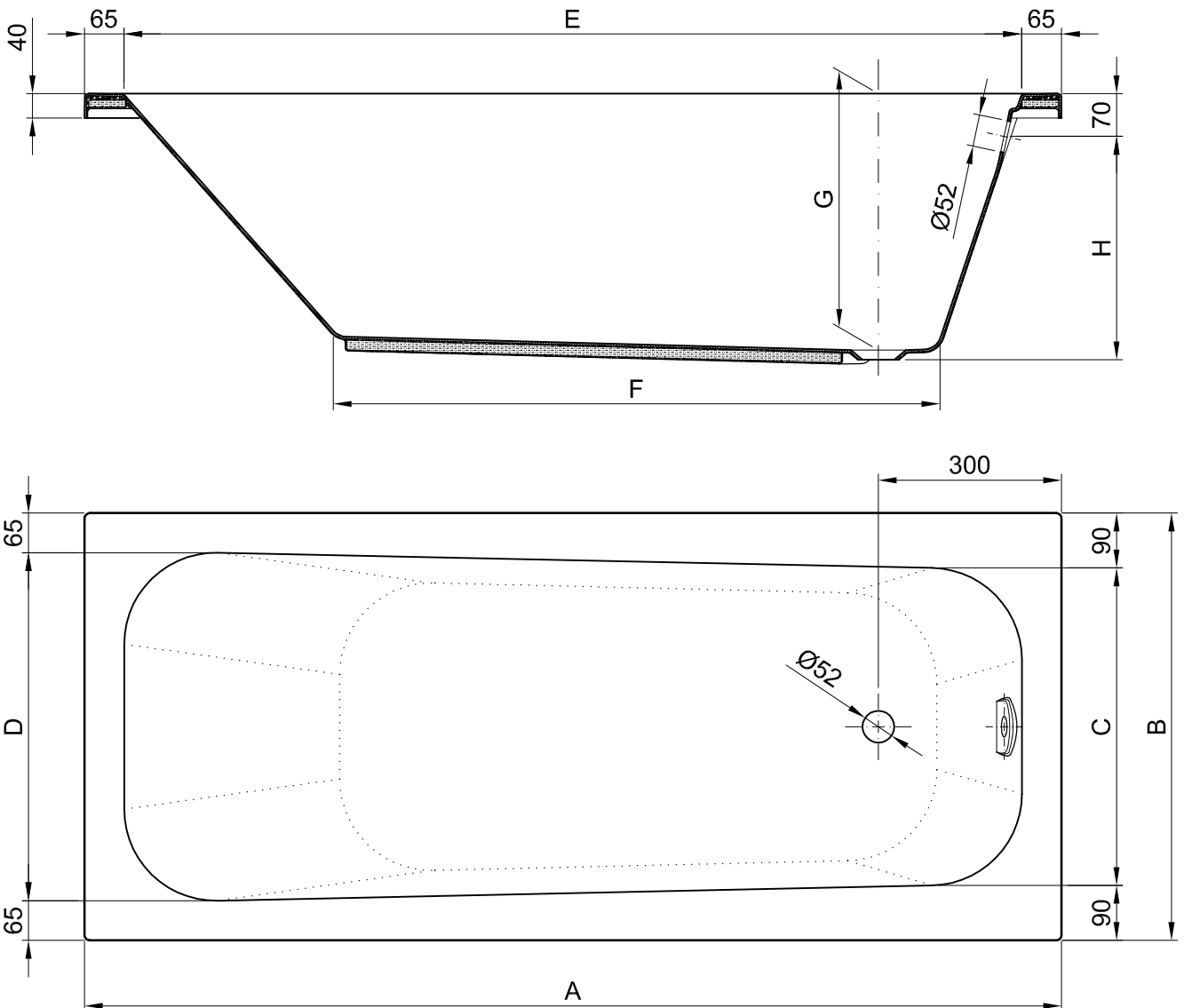
- DESCRIPTION: Rectangular Acrylic Bathtub

- SERIES: NEXO

- VERSION: Simple

- REF: See table

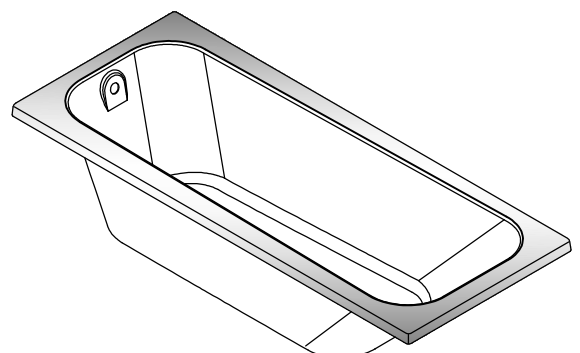
Technical Sheet



AxB	REF.	C	D	E	F	G	H	*CAP.	WEIGHT
1400x700	B14070NX	520	570	1270	795	400	345	145 L	16.5 Kg
1500x700	B15070NX			1370	895			167 L	17.6 Kg
1600x700	B60NX			1470	995	420	365	190 L	20 Kg
1700x700	B70NX			1570	1095			211 L	21 Kg
1500x750	B15075NX	570	620	1370	895	400	345	176 L	19 Kg
1600x750	B16075NX			1470	995			210 L	22 Kg
1700x750	B75NX			1570	1095	420	365	212 L	22 Kg
1600x800	B16080NX	620	670	1470	995			225 L	20.5 Kg
1700x800	B80NX			1570	1095	239 L	24 Kg		

*Capacity to overflow level (±10%);

Dimensions in mm



The products presented follow technical specifications by Sanitana S.A. Dimensions provided are indicative only. For custom installation, should only be considered the dimensions measured directly on the part to be installed. We reserve the right to make technical changes to improve the functionality of our products without prior notice.

PART:

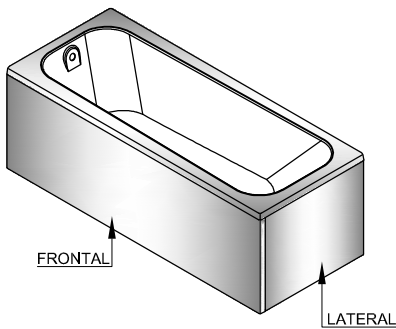
- DESCRIPTION: Rectangular Acrylic Bathtub
- SERIES: NEXO
- VERSION: Simple/ With Whirlpool Systems

RELATED PRODUCTS:

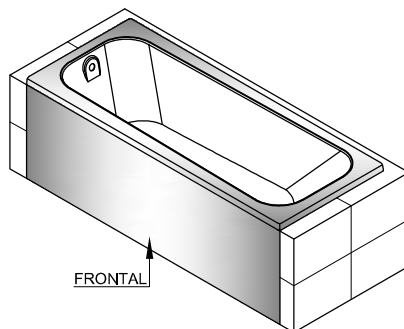
BATHTUB DIM.	METALLIC STRUCTURE	METALLIC FEET SUPPORT	DISCHARGE VALVE	HEADREST FLAT	HEADREST (included in whirlpool systems)
1400x700	KEMCB14070.ZNC	17763	15892	BACSP59G	25497
1500x700	KEMCB15070.ZNC				
1600x700	KEMCB16070.ZNC				
1700x700	KEMCB17070.ZNC				
1500x750	KEMCB15075ZNC	17764			
1600x750	KEMCB16075.ZNC				
1700x750	KEMCB17075.ZNC				
1600x800	KEMCB16080.ZNC	17765			
1700x800	KEMCB17080.ZNC				

ACRYLICS, WOOD AND ACM PANELS:

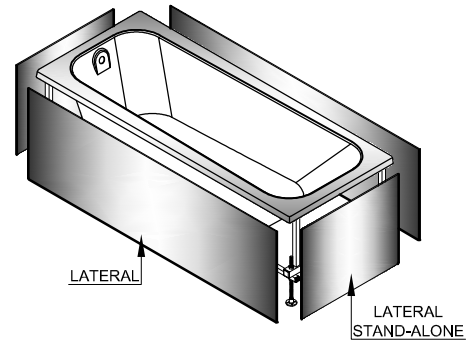
QUADRANT APPLICATION
(frontal panel+lateral panel)



BETWEEN-WALLS APPLICATION
(Frontal panel)



STAND-ALONE APPLICATION
(Frontal panel+lateral stand-alone panel)



FRONTAL ACRYLIC PANEL		
DIM.	HEIGHT 500mm	HEIGHT 560mm
1400	B140S2	N/A
1500	B150S	
1600	N/A	B160P
1700		B170P

LATERAL ACRYLIC PANEL		
DIM.	HEIGHT 500mm	HEIGHT 560mm
700	B070S	B070P
750	B075S	B075P
800	N/A	B080P

WOOD FRONTAL PANEL	
DIM.	HEIGHT 560mm
1600	B16056PM
1700	B17056PM
1800	B18056PM

WOOD LATERAL PANEL	
DIM.	HEIGHT 560mm
700	B7056PM
750	B7556PM
800	B8056PM

WOOD LATERAL PANEL (stand-alone)	
DIM.	HEIGHT 560mm
700	B7056PMSA
750	B7556PMSA
800	B8056PMSA

ACM FRONTAL PANEL	
DIM.	HEIGHT 560mm
1600	B16056ACM
1700	B17056ACM
1800	B18056ACM

ACM LATERAL PANEL	
DIM.	HEIGHT 560mm
700	B7056ACM
750	B7556ACM
800	B8056ACM

ACM LATERAL PANEL (stand-alone)	
DIM.	HEIGHT 560mm
700	B7056ACSA
750	B7556ACSA
800	B8056ACSA

The products presented follow technical specifications by Sanitana S.A. Dimensions provided are indicative only. For custom installation, should only be considered the dimensions measured directly on the part to be installed. We reserve the right to make technical changes to improve the functionality of our products without prior notice.